

Sensor SB-69A

DESCRIPTION:

Piezoresistive Pressure Transmitters with 4-20mA output signal and 2-wires. It has extreme ruggedness towards electromagnetic fields. These transmitters are also extremely immune to external voltages between the housing and the electrical connection, which is particularly important when frequency converters are being used. The high insulation voltage of 300 V make this product ideal for use in the harshest of environments. It is available with 4 pressure ranges as follows:

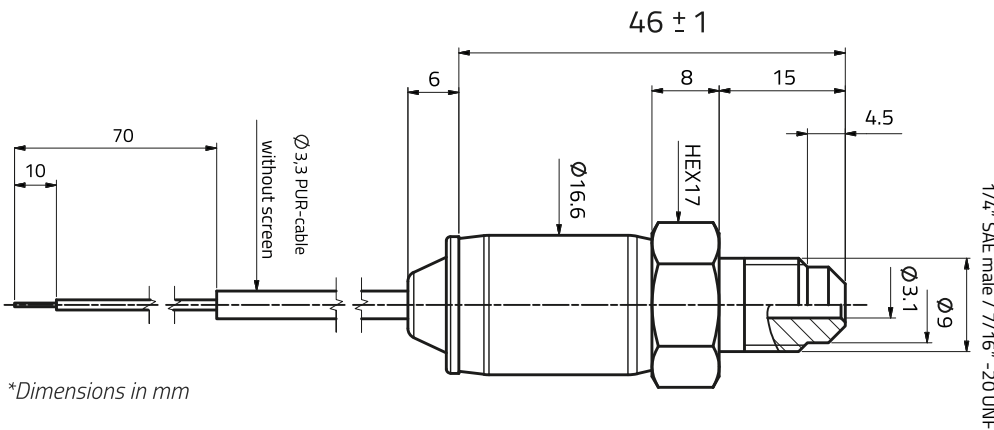
PRESSURE RANGE

SB69-100A	0-100 PSI (0-6 bar)
SB69-200A	0-200 PSI (0-13 bar)
SB69-500A	0-500 PSI (0-34 bar)
SB69-850A	0-850 PSI (0-58 bar)

COMPATIBLE INSTRUMENTS:

- VX-1025E plus
- RCK-862 plus
- PCT-120E plus
- PCT-3001
- PCT-410E plus
- RCK-602 plus
- PCT-100E

DIMENSIONS*:



CABLE

WHITE	OUT/GND
BROWN	+VCC

MORE INFORMATIONS:

- **Output signal:** 4...20mA (2-Wires)
- **Pressure port:** 1/4" SAE male / 7/16" -20 UNF
- **Electrical connection:** 1m
- **Supply:** 8 to 32 VDC
- **Insulation:** > 10 MΩ at 300 VDC
- **Operation temperature range:** -40°C to 100°C (-40°F to 212°F)
- **Material in Media Contact:** Stainless Steel AISI 316L and Viton® Seal

FULL GAUGE'S TIP

The accessories that will simplify your installation.



CONTACT OUR SALES TEAM FOR MORE INFORMATION.



www.fullgauge.com
comex@fullgauge.com